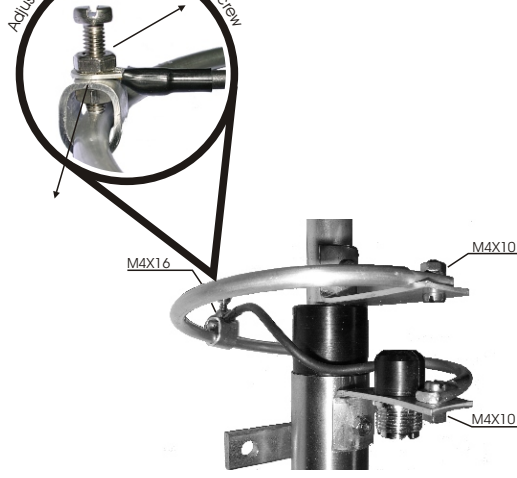


Specifications	
Frequency:	135-175 MHz
Gain:	7,0 dBi
VSWR 2:1 Bandwidth:	>6 MHz
Power:	800 Watts
Height:	2,8 m
Ring Diameter:	12 cm
Mast Size:	30-50 mm
Connector:	PL-259
Weight:	2 Kg

Adjust for lower SWR and lock the screw



**LAMBDA ANTENNAS & RF SYSTEMS.**  
 56334 Thessaloniki Athinas 28 Greece  
 Phone: 302310756064 \*  
 www.lambda.gr  
 SV2TW Kostas Kolokotronis

