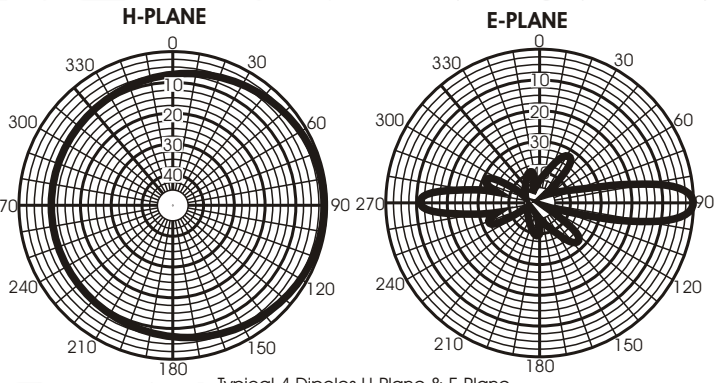
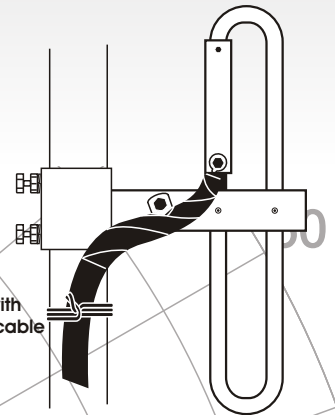
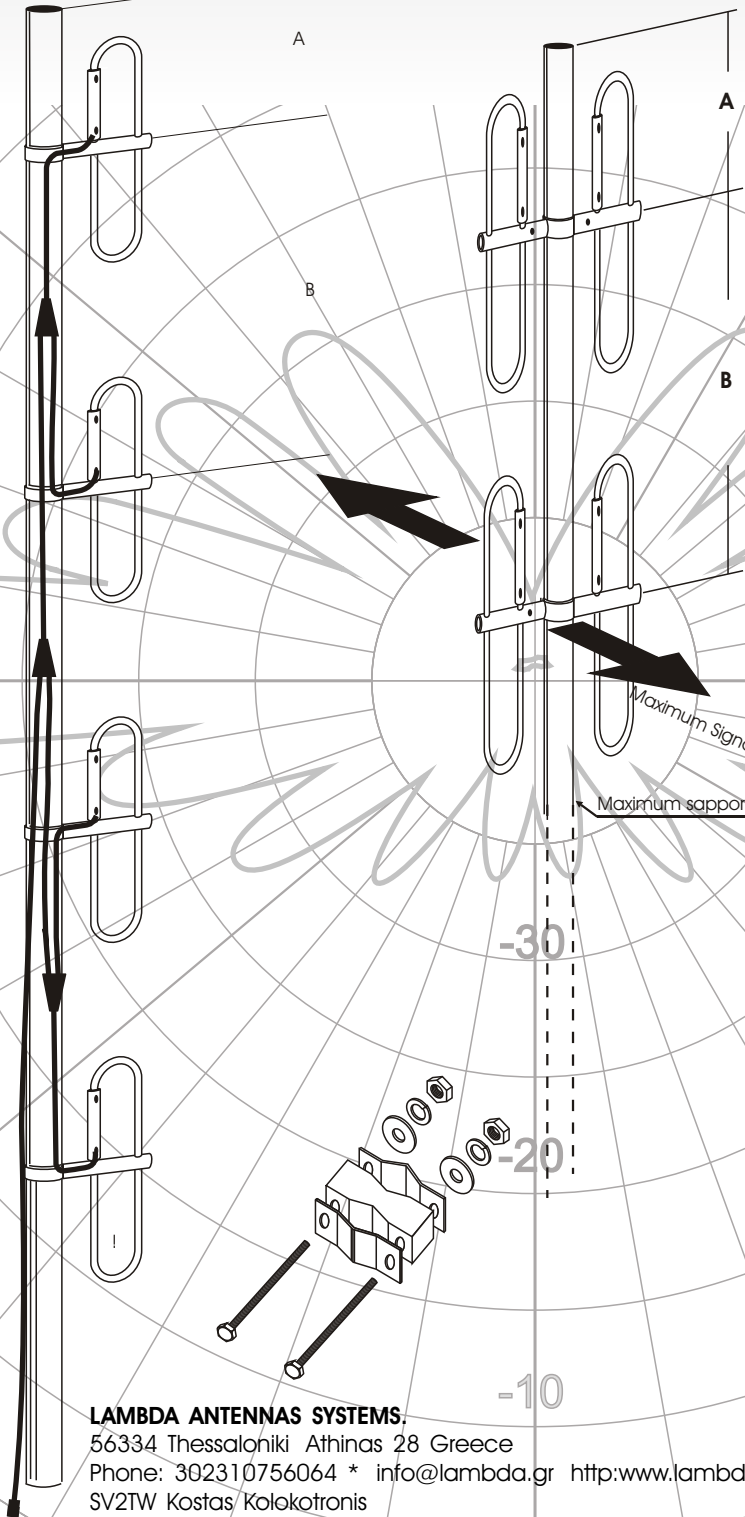


Wireless Antennas & RF Systems



VHF broadband antenna 135-175 MHz



IMPORTANT

They are available Harness with Down Tilt Angle 3°

Model	FREQ. MHz	DIMENSION mm		LENGTH m
		A	B	
140/4	135-145	580	1820	6,5 m
145E4	140-150	580	1800	6,5 m
150/4	145-155	570	1700	6,5 m
160/4	155-165	560	1675	6,0 m
170/4	165-175	530	1585	6,0 m

Power Handling: 500 W
 Nominal Impedance: 50 Ω
 SWR: 1,5:1
 Connector Type: N-Female
 Gain: 9,2dbd Offset 6,2dbd Omni
 * 8 Broadband Arrays have plus Gain 3abdb

LAMBDA ANTENNAS SYSTEMS
 56334 Thessaloniki Athens 28 Greece
 Phone: 302310756064 * info@lambda.gr http://www.lambda.gr
 SV2TW Kostas Kolokotronis